

M12 male 90° / M12 female 0°

TPE 4x22AWG ye UL/CSA, ITC/PLTC 7,5m

Male 90° – female straight

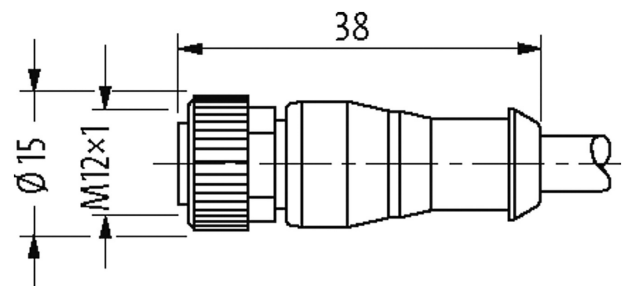
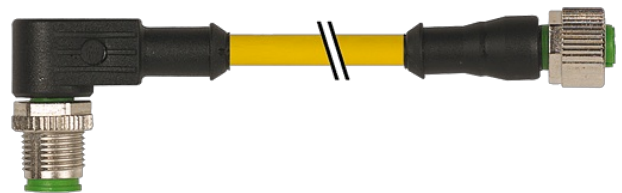
M12 – M12, 4-pole

USA

Plastic housings with good resistance against chemicals and oils.

The resistance to aggressive media should be individually tested for your application. Further details on request.

Further cable lengths on request.

Link to Product**Illustration**

Product may differ from Image

Approvals

* only for products with UL/CSA approved cable

Form

Form 40201

General data

| | |
|-------------------|------------------------------------------|
| Standards | DIN EN 61076-2-101 (M12) |
| Mounting method | inserted, tightened |
| Pollution Degree | 3 |
| Temperature range | -25...+85 °C, depending on cable quality |

Cables

| | |
|----------------------|--------------------------------------------|
| Cable identification | U04 |
| Approval (cable) | UL (AWM-Style 20626/1731), CSA; CE conform |
| Cable weight [g/m] | 49,50 |
| Material (wire) | Cu wire, bare |
| Resistor (core) | max. 46.9 Ω/km (20 °C) |
| Single wire Ø (core) | 0.16 mm |

| | |
|---------------------------------|------------------------------------------------|
| Construction (core) | 19× 0.16 mm (multi-strand wire class 5) |
| Diameter (core) | 1 × 4× AWG22/19 (0.382) |
| Material (wire isolation) | semi-rigid PVC |
| Wire-Ø incl. isolation | 1.27m ±5% |
| Color/numbering of wires | br, bk, bl, wh |
| Stranding combination | 4 wires twisted |
| Material (jacket) | TPE |
| Outer-Ø (jacket) | 5.3 mm ±5% |
| Color (jacket) | yellow |
| chemical resistance | good resistance to oil, gasoline and chemicals |
| thermal resistance | flame retardant |
| Nominal voltage | 300 V AC |
| Test voltage | 2000 V AC |
| Current load capacity | to DIN VDE 0298-4 |
| Temperature range (fixed) | -40...+105 °C |
| Temperature range (mobile) | -20...+90 °C |
| Bend radius (fixed) | 5× outer Ø |
| Bend radius (moving) | 10× outer Ø |
| No. of bending cycles (C-track) | max. 10 Mio. (25 °C) |
| Torsion stress | ±180°/m |
| Jacket Color | yellow |

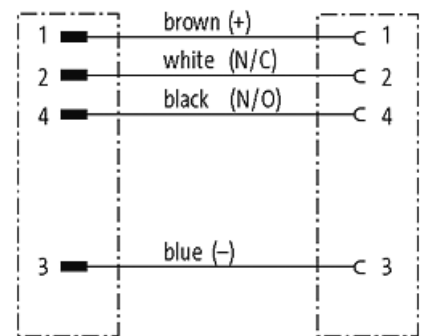
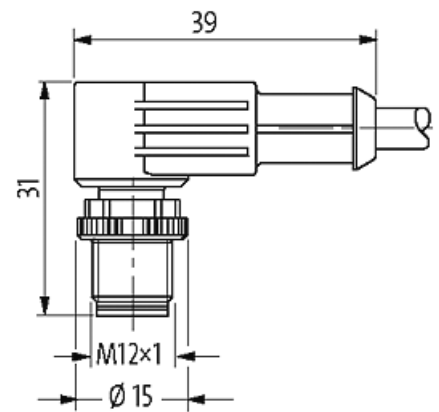
Technical Data

| | |
|-------------------------------------------|------------------------------------------------------------------|
| Operating voltage | max. 250 V AC/DC |
| Operating voltage (only UL listed) | max. 30 V AC/DC |
| Rated surge voltage | 2.5 kV |
| Operating current per contact | max. 4 A |
| No. of poles | 4 |
| Material group | IEC 60664-1, category I |
| Coding | A-coded |
| LED display | no |
| Locking of ports | Screw thread (M12×1 mm) recommended torque 0.6 Nm, self-securing |
| Protection | IP65, IP66K, IP67 inserted and tightened (EN 60529) |
| Material | TPU |
| Locking material | Zinc die casting, matte nickel plated |
| suitable for corrugated tube (internal Ø) | 10 mm |

Commercial data

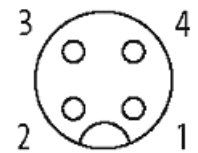
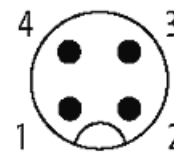
| | |
|-----------------------|---------------|
| country of origin | DE |
| customs tariff number | 85444290 |
| EAN | 4048879740210 |
| eClass | 27279218 |
| Packaging unit | 1 |

Sketch



Male

Female



Product may differ from Image